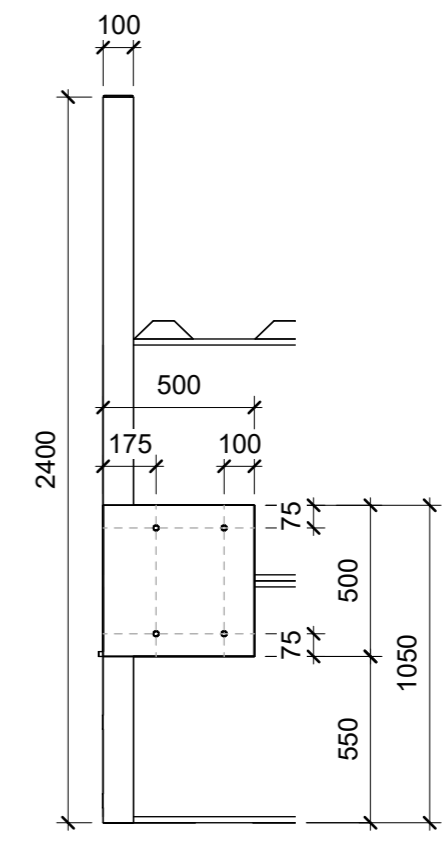
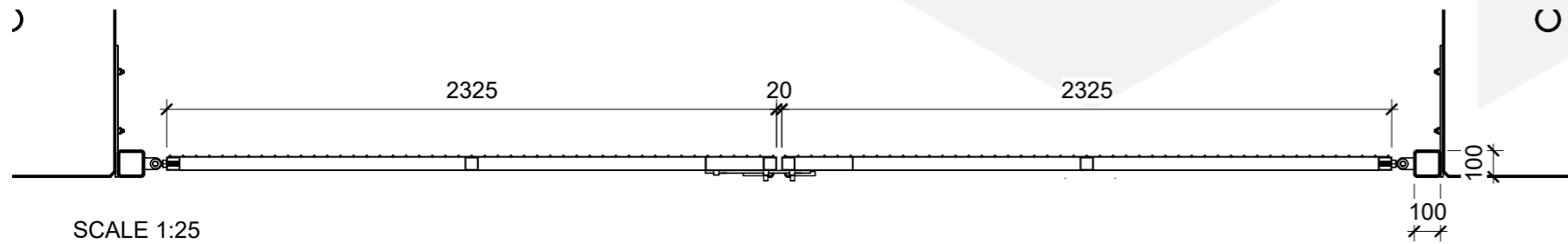


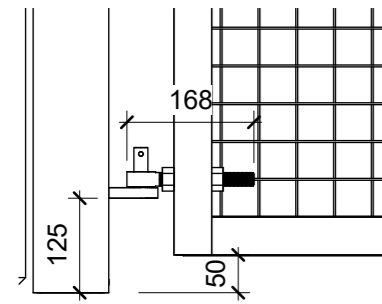
SCALE 1:25



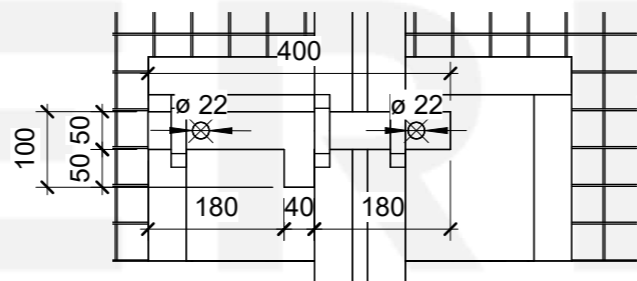
SCALE 1:25



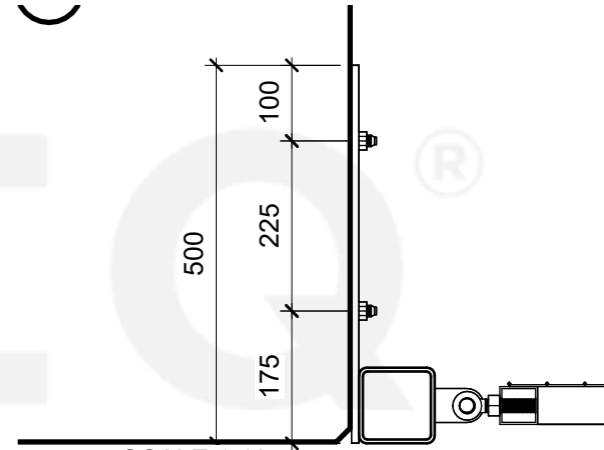
SCALE 1:25



SCALE 1:10



SCALE 1:10



SCALE 1:10

**General Comments**

See Our Associated Products:  
[Mesh Heavy Duty Vehicle Gate](#)  
[Palisade Vehicle Gate](#)  
[Heavy Duty Solid Steel Vehicle Gate](#)  
[Heavy Duty Hybrid Vehicle Gate](#)  
[Steel Hoarding Vehicle Gate](#)

**Materials**

Mild Steel to be Powder Coated

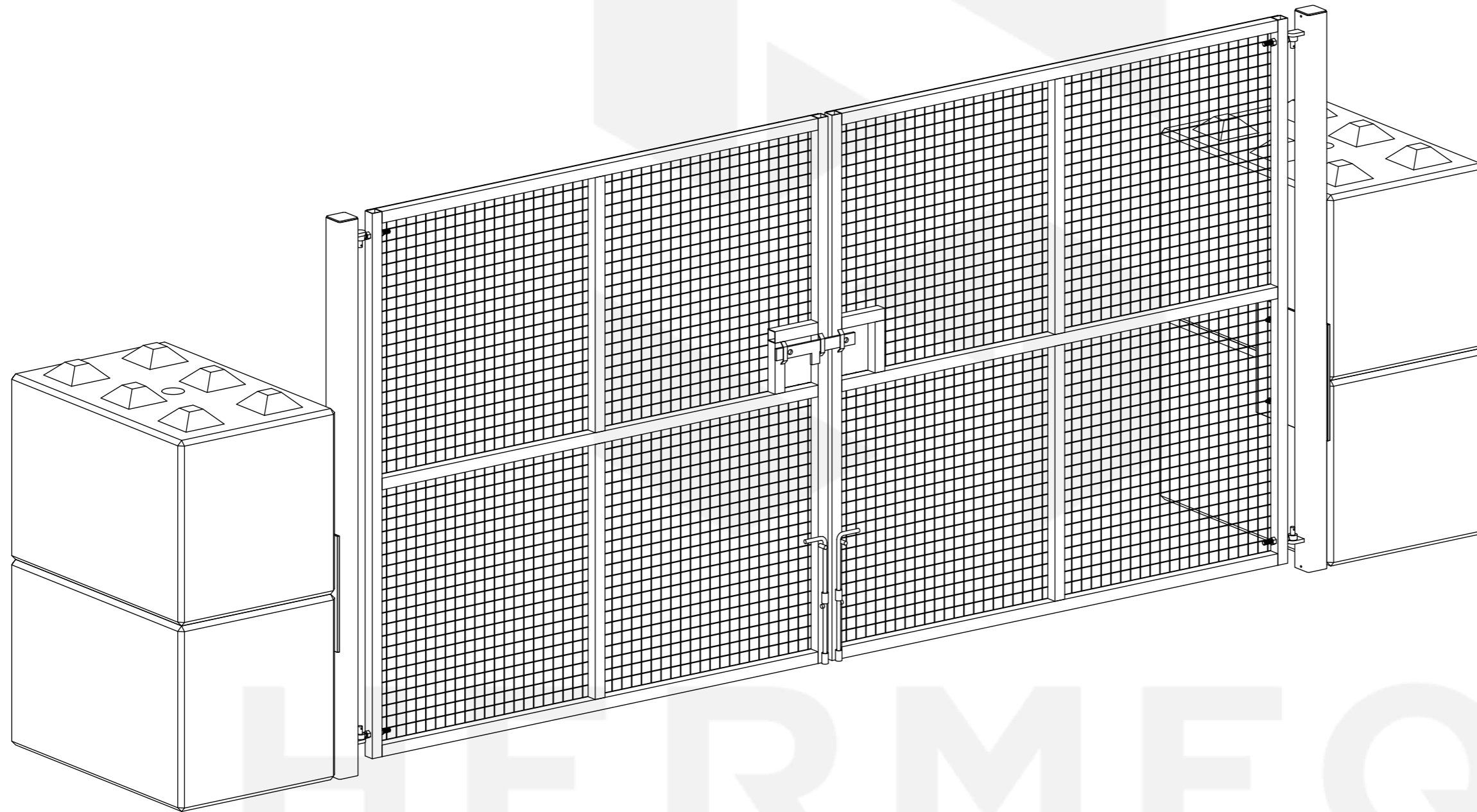


No.	Description	Date

SKU	Component Description	Quantity
CB158043	INTERLOCKING CONCRETE BLOCK - 1200 X 800 X 800	4
CPBAR00011	BAR-H-16-10	2
CPBAR00012	BAR-H-16-40	2
CPBEN00051	BEN-Drop Bolt-550-110 Dia - G16mm - 550mm x 110mm - Bent	2
CPBEN00053	BEN-H-Gate Lugs - G3mm - 96mm x 20mm x 18mm - Bent	3
CPCHS00008	CHS-Drop Bolt Holder - Dia - 26.9mm - G2.7mm - 45mm	4
CPCUT00010	CUT-SQUARE-MESH-2325-2350 - Dia - G2.5mm - 2325mm x 2350mm	2
CPMAN00056	Gate Hook - Assembly - 65mm x 45mm x 67mm	4
CPMAN00057	Gate Vertical Frame - G2.7mm - 50mm x 50mm x 2350mm - Drilled	2
CPPRO00048	PRO-H-Heavy Duty Side Latch - HR Profile Shape - 400mm x 100mm - 10mm	1

**On-Ground Mesh Heavy Duty Gate (OG4)**  
 - 2400mm x 5000mm - Unpainted

Weight	N/A	Serial Number	Revision
Date	15/05/2024	CPMAN00061	
Drawn by	JT		
Approved by	GM	Scale	As indicated @A3



**General Comments**

See Our Associated Products:

[Mesh Heavy Duty Vehicle Gate](#)

[Palisade Vehicle Gate](#)

[Heavy Duty Solid Steel Vehicle Gate](#)

[Heavy Duty Hybrid Vehicle Gate](#)

[Steel Hoarding Vehicle Gate](#)

**Materials**

Mild Steel to be Powder Coated




Email: sales@hermeq.com

No.	Description	Date

SKU	Component Description	Quantity
CPPRO00049	PRO-H-Post End Cap - HR Profile Shape - 95mm x 95mm - 5mm	2
CPPRO00056	PRO-H-Fixing Plate - Standard - HR Profile Shape - 500mm x 500mm - 10mm	2
CPPUR00021	PUR-Eyebolt - M18 x 168mm	4
CPPUR00022	PUR-Hexagon Nut - M18 x 15mm	8
CPPUR00023	PUR-Bolt Anchor - M16 x 128mm	8
CPSHS00004	SHS-H-50-50-2.7-220	4
CPSHS00011	SHS-H-50-50-2.7-2350	2
CPSHS00042	SHS-H-50-50-2.7-2225	6
CPSHS00043	SHS-H-50-50-2.7-1100	4
CPSHS00063	SHS-H-100-100-5-2400	2

**On-Ground Mesh Heavy Duty Gate (OG4)**  
 - 2400mm x 5000mm - Unpainted

Weight	N/A	Serial Number	Revision
Date	15/05/2024	CPMAN00061	- 3D VIEW
Drawn by	JT		
Approved by	GM	Scale	@A3